

MEC-O-MATIC VSP Series

Metering Pumps



VARIABLE SPEED PERISTALTIC METERING PUMPS



- **VERSATILE...** the VSP is engineered to dispense low volumes of chemicals at exacting amounts.
- **RELIABLE...** heavy-duty gearmotor... field-tested, proven peristaltic head... durable chemical-resistant housing.
- **LOW MAINTENANCE...** self-lubricating roller assembly... NO tube adjustment required... exclusive quick-release, twist-off head.
- **GUARANTEED...** full one year warranty on dispenser.

MODEL	TUBING SIZE	FEED RATES (GPD)		FEED RATES (CC/MIN)		MAX. OPER. PRESS. (PSI)	MAX. REV. PER MIN.	SHIP WT. (LBS)	AMPS	
		MIN.	MAX.	MIN.	MAX.				24V 50/60Hz	120V 50/60Hz
VSP12	3/16" I.D. x 3/8" O.D.	1.6	12	4.2	31.6	25	14	6	.3	.1
VSP20	1/4" I.D. x 7/16" O.D.	2.6	20	6.8	52.6	25	14	6	.3	.1

- COOLING TOWERS
- SWIMMING POOLS
- BOILERS
- AGRICULTURE
- LAUNDRIES
- LIVESTOCK
- FOOD PROCESSING
- RESIDENTIAL WATER TREATMENT
- CAR WASHES

- PHOTO PROCESSORS
- METAL FINISHING
- WAREWASHING

technology
innovation diversity
excellence

VSP Series Specifications

Variable Speed Peristaltic Metering Pumps

PUMP CASE

The dispenser case is molded of a rugged, chemical-resistant ABS. Mounting pads and a built-in wall mounting provision allow a choice of flat surface or wall mounted installation.

GEARMOTOR

Continuous duty D.C. motor with electric control allows the VSP internal adjustment knob to decrease or increase the gearmotor speed to regulate chemical metering. Gearing is permanently lubricated to reduce pump maintenance.

DISPENSER HEAD

The dispenser head is molded of highly chemical-resistant polycarbonate and is designed to snap on and off without tools. MEC-O-MATIC's self-lubricating roller assembly, included in the head assembly, makes possible long tubing life and the unique quick release, twist off head makes tubing replacement simple and fast.

TUBING

Manufactured and selected specifically for durability. Optional tubing materials are available for special applications.

ACCESSORIES

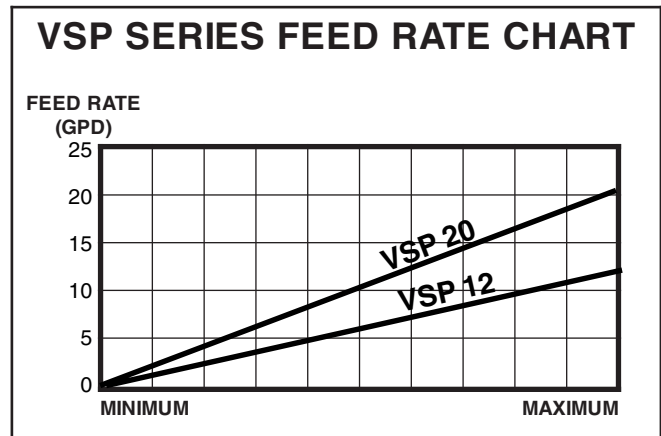
15 feet of 1/4" O.D. poly tubing, an auto-clean check valve injection point fitting, a strainer with weights, and an installation manual are included with each unit.

WARRANTY

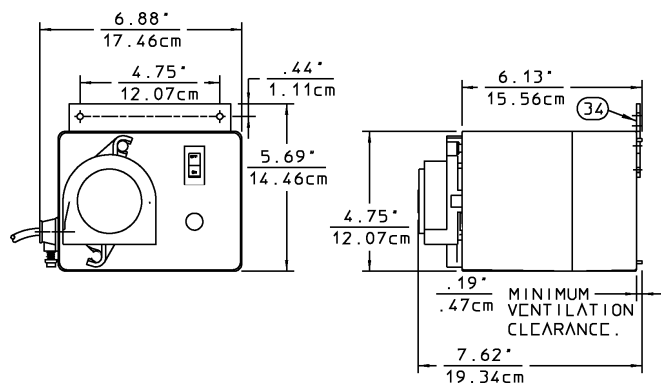
The manufacturer warrants the equipment of its manufacture to be free of defects in material or workmanship. Liability under this policy extends for eighteen (18) months from the date of purchase or one (1) year from date of installation or whichever comes first. The manufacturer's liability is limited to repair or replacement of any device or part which is returned, prepaid, to the factory and which is proven defective upon examination. This warranty does not include installation or repair cost and in no event shall the manufacturer's liability exceed its selling price of such part.

The manufacturer disclaims all liability for damage to its products through improper installation, maintenance, use or attempts to operate such products beyond their functional capacity, intentionally or otherwise, or any unauthorized repair. Replaceable elastomeric parts are expendable and are not covered by any warranty either expressed or implied. The manufacturer is not responsible for consequential or other damages, injuries, or expense incurred through use of its products.

The above warranty is in lieu of any other warranty, either expressed or implied. The manufacturer makes no warranty of fitness or merchantability. No agent of ours is authorized to make any warranty other than the above.



DIMENSIONS



MATERIAL SPECIFICATIONS

Pump Head	Polycarbonate
Peristaltic Tubing	Highly Chemical Resistant, selected for durability
Suction/Discharge Tubing ...	Polyethylene
Strainer	PVC-Weighted
Injection Point Fitting	Patented Self-Cleaning Design
Pump Case	ABS
Voltages	120V & 24V 50/60Hz



An ISO Certified Company



A Unit of IDEX Corporation

Standard Product Operations

27101 Airport Road • Punta Gorda, Florida 33982
TEL (941) 575-3800 • TEL 800-333-6677
FAX (941) 575-4085 • FAX 800-456-4085
spottech@pulsa.com • www.pulsa.com